

RESTRICTED

INSTRUCTION BOOK

For

NAVY MODEL MAB

**RADIO TELEPHONE TRANSMITTING AND
RECEIVING EQUIPMENT**

Manufactured For

U. S. NAVY DEPARTMENT

BUREAU OF SHIPS

By

COMMUNICATIONS COMPANY, INC.

Coral Gables, Florida

CONTRACT NXss-14439

Dated: October 1, 1942

RESTRICTED

INSTRUCTION BOOK
For
NAVY MODEL MAB
RADIO TELEPHONE TRANSMITTING AND
RECEIVING EQUIPMENT

OUTPUT	EMISSION	FREQUENCY RANGE
0.2 Watts	A-3	2.3 to 4.5 MC

“This document contains information affecting the National Defense of the United States within the meaning of the Espionage Act (U.S.C. 50:31,32). The transmission of this document or the revelation of its contents in any manner to any unauthorized person is prohibited.

“This Instruction Book is furnished for the information of commissioned, warranted enlisted and civilian personnel of the Navy and persons authorized by the Bureau of Ships, whose duties involve design, manufacture, instruction, operation and installation of radio, radar, or underwater sound equipment.

“The word “RESTRICTED” as applied to this instruction book signifies that it is to be read only by the above personnel, and that its contents should not be made known to unauthorized persons not connected with the Navy.”

Manufactured For

U. S. NAVY DEPARTMENT — BUREAU OF SHIPS

By

COMMUNICATIONS COMPANY, INC.

Coral Gables, Florida

CONTRACT NX_{ss}-14439

Dated: October 1, 1942

NAVY TYPE MAB
RADIO TELEPHONE TRANSMITTING & RECEIVING EQUIPMENT

Operation of the Equipment does not involve the use of voltages greater than 135 volts and accordingly is not considered dangerous to life.

GUARANTEE

The equipment, including all parts and spare parts, except vacuum tubes, is guaranteed for a service period of ONE YEAR with the understanding that, as a condition of this contract, all items found to be defective as to design, material, workmanship or manufacture will be replaced without delay and at no expense to the Government, provided that such guarantee and agreement will not obligate the contractor to make replacement of defective material unless the failure, exclusive of normal shelf life deterioration, occurs within a period of TWO YEARS from the date of delivery of the equipment to and acceptance by the Government, and provided further, that if any part or parts (except vacuum tubes) fail in service or are found defective to the extent of ten percent (10%) or more, but not less than two of the total number of equipments furnished under the contract, such part or parts, whether supplied in the equipment or as spares, will be conclusively presumed to be of defective design, and as a condition of contract subject to one hundred percent, (100%) replacement of all similar units supplied on subject contract by suitable redesigned replacements. Failure due to poor workmanship while not necessarily indicating poor design, will be considered in the same category as failure due to poor design. Redesigned replacements which will assure proper operation of the equipment will be supplied promptly, upon proper receipt of notice and without cost to the Government.

GUARANTEE

All such defective parts will be subject to ultimate return to the contractor. In view of the fact that normal activities of the Naval Service may result in the use of equipment in such remote portions of the world or under such conditions as to preclude the return of the defective item or unit prior to replacement without jeopardizing the integrity of Naval communications, the exigencies of the Service therefore may necessitate expeditious repair of such item or unit in order to prevent extended interruption of communications. In such cases the return of a defective item or unit for examination by the contractor prior to replacement will not be required. The report of a responsible authority, including details of the conditions surrounding the failure will be acceptable for effective adjustment under the provisions of this contractual guarantee. The above period of TWO YEARS and the service period of ONE YEAR will not include any portion of the time that the equipment fails to give satisfaction due to defective items and the necessity for replacement thereof. All replacement parts will be guaranteed to give ONE YEAR of satisfactory service.

REPORT OF FAILURES AND REPLACEMENT DATA

Report of failure of any part of this equipment, during its service life, shall be made to the Bureau of Ships in accordance with current instructions. The report shall cover all details of the failure and give the date of installation of the equipment. For procedure in reporting failures, see Chapter 31, (mimeographed form) of the Manual of Engineering Instructions, or Bureau of Ships Radio and Sound Bulletin Number 7, dated July 1, 1942, or superseding instructions.

Contract NXss-14439 Contract Dated: Oct. 1, 1942
Serial Number of Equipment.....
Date of Acceptance by the Navy.....
Date of Delivery to Contract Destination.....
Date of Completion of Installation.....
Date Placed in Service.....

Blank spaces in this book shall be filled in at time of installation. Operating personnel shall also mark the "date placed in service" on the equipment, using suitable methods and care to avoid damaging the equipment.

All requests or requisitions for replacement material should include complete descriptive data covering the parts desired, in the following form:

Name of Part Desired.....
Navy Type Number (if assigned) (including prefix
and suffix)

Model Designation (including suffix) of equipment
in which used.....

Navy Type Designation (including prefix and suffix
where applicable) of Major Unit in which part is
used

Symbol Designation of Part.....
Navy Drawing Number.....
Manufacturer's Drawing Number.....
Rating or Other Descriptive Data.....
Commercial Designation

TABLE OF CONTENTS

	Page
Guarantee	III
Instructions Regarding Report of Failures and Replacement Data	V.
1. General Description	1
1-1 Intent of Design	1
1-2 List of Units, with weights and dimensions	1
2. Detailed Description	4
2-1 Mechanical	4
(a) Radio Transmitter-Receiver Unit.....	4
(b) Power Unit	5
(c) Plastic Carrying Case.....	5
(d) Antenna and Load Coil Assembly.....	5
(e) Microphone, Headset and Cables.....	6
2-2 Electrical	7
(a) Receiving Circuits	7
(b) Transmitter Circuits	8
2-3 Power Supply Current Drains.....	9
3. Installation	10
4. Operation	11
5. Maintenance	12
5-1 General	12
5-2 Alignment	12
(a) Alignment Equipment	13
(b) Alignment Procedure, using type -60063 alignment oscillator	13
1. Preparation	13
2. Receiver Alignment	14
3. Transmitter Alignment	15
(c) Alignment Procedure, using external signal generator	15

TABLE OF CONTENTS

	Page
5-3 Troubleshooting	16
(a) Transmitter and Receiver	16
(b) Receiver section	17
(c) Transmitter section	17
5-4 Circuit Checking Data	18
Table 1. List of Major Units.....	20
Table 2. Parts List by Symbol Designation.....	21
Table 3. Spare Parts List by Symbol Designation.....	27
Table 4. Transformer and Coil Assembly Data.....	30
Table 5. Channel Designation and Crystal Frequency Data	31
Table 6. Color Code, Resistors and Capacitors.....	32
Table 7. Manufacturers Designations	33

ILLUSTRATIONS

Figure	Page
--------	------

PHOTOGRAPHS

1. Model MAB Equipment	34
2. Top and Bottom Views of Radio Unit.....	35

DIAGRAMS

3. Schematic Diagram Model MAB Equipment.....	36
4. Dimensional Drawing Model MAB Equipment.....	37
5. Transmitter-Receiver Unit Placement Diagram, Top View	38
6. Transmitter-Receiver Unit Dimensional View.....	39
7. Transmitter-Receiver Unit Placement Diagram, Bottom View	40



Position of MAB Equipment on Paratrooper
Before Jumping.

FRONT VIEW

VIII.



Position of MAB Equipment on Paratrooper
Before Jumping.

SIDE VIEW

IX



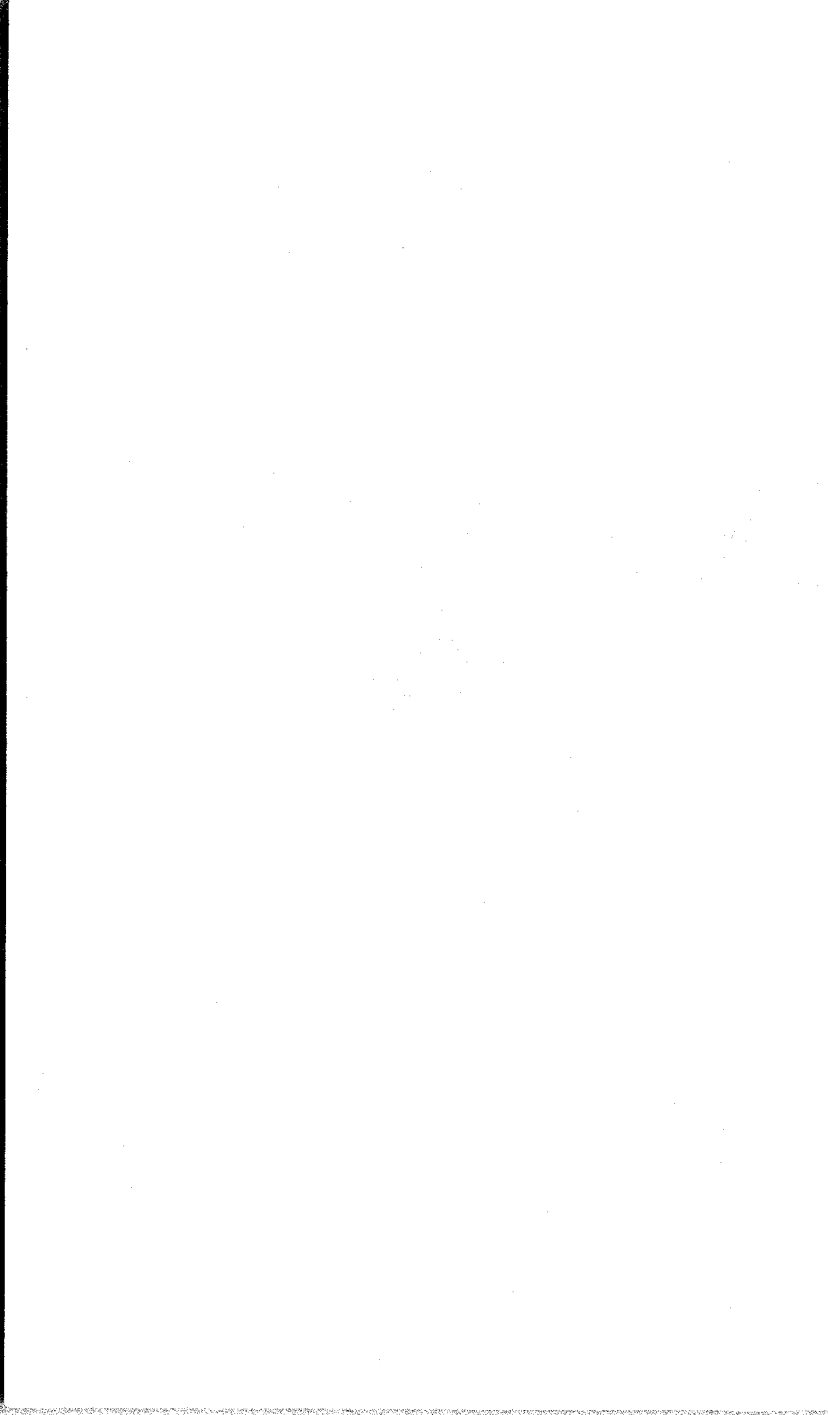
Position of MAB Equipment Ready for Operation
After Jumping.

SIDE VIEW



Position of MAB Equipment Ready for Operation
After Jumping.

BACK VIEW



1. GENERAL DESCRIPTION

1-1 Intent of Design

The MODEL MAB Radio Telephone Transmitting and Receiving Equipment is primarily designed to furnish an ultra-compact single frequency radio communication link between paratroop forces. It is also suitable for reconnaissance or outpost communications.

Both radio unit and power supply fit in a watertight plastic case. This case can be carried on the operator's thigh, chest or back, either in a pocket of the uniform or in a canvas carrying case provided with the equipment.

Receiver and transmitter of this equipment are crystal controlled, and can be operated on any one channel in the frequency range of 2.3 mc to 4.5 mc. Voice communication (A3 emission) is the only type of operation provided. The power output of the equipment is approximately 0.2 watt, and satisfactory communication between units over average terrain can be maintained over a range of approximately one mile. This range will increase somewhat for communication between aircraft and ground units.

1-2 List of Units, with Weights and Dimensions:

The equipment consists of the following major units:

Radio Transmitter and Receiver unit, Navy type CCI-43045, including complete set of vacuum tubes consisting of:

Symbol	Type	Function
V-101	1R5	Oscillator-Mixer
V-102	1T4	I.F. Amplifier
V-103	1S5	Detector-First Audio
V-104	3S4	Audio Output
V-105	3S4	Transmitter Power Amplifier
V-106	1T4	Transmitter Crystal Oscillator
V-107	3S4	Modulator

NAVY TYPE MAB
RADIO TELEPHONE TRANSMITTING & RECEIVING EQUIPMENT

Height — $6\frac{1}{4}$ "
Width — $1\text{-}13/16$ "
Depth — $3\text{-}9/16$ "
Weight — $1\frac{1}{4}$ lbs.

Power Supply consisting of Vibrator Power unit, Navy Type CRF-20221 and Lead-Acid Storage Battery, Navy Type -19046. (Not furnished by Contractor)

Height — $6\text{-}9/16$ "
Width — $1\frac{7}{8}$ "
Depth — $3\text{-}11/16$ "
Weight — $3\frac{1}{4}$ lbs.

Power Supply (Alternate), Battery Pack Dry, Navy Type -19027A. (Not furnished by Contractor)

Height — $6\text{-}5/16$ "
Width — $1\text{-}13/16$ "
Depth — $3\text{-}11/16$ "
Weight — 2 lbs.

Antenna and Load Coil Assembly, Navy Type CCI-66081.

Length (Collapsed) — $15\frac{1}{8}$ " (approx.)
Length (Extended) — 85" (approx.)
Weight — 1 lb.

Plastic Case, Type CZP-10162

Weight — $1\frac{1}{2}$ lbs.

Microphone and Cover Assembly, Navy Type CCI-51048 Consisting of:

Plastic Cover, Navy Type CZP-10163

Antenna Lead, Navy Type CTE-49212, with concentric Breakaway Connector.

Microphone and Headset Cable Assembly, Navy Type CTE-49213, Including "Off-On" Switch, Navy Type CTE-24159, and flat-type Breakaway Connector for Headset.

NAVY TYPE MAB
RADIO TELEPHONE TRANSMITTING & RECEIVING EQUIPMENT

Microphone, Navy Type CTE-50142, including press-to-talk Switch.

Weight of complete Microphone and Cover Assembly — 1.0 lb.

Headset Assembly, Navy Type CCI-49214, consisting of:

Connector Cable, Navy Type CTE-49216.

Two Headphones, Navy Type CUP-49215, 5/16" thick by 2" diameter.

Weight of complete Headset Assembly — 4 oz.

Weight of an entire MODEL MAB equipment, unpacked and ready for use; including vibrator power unit and lead-acid battery — 8 lb. 9 oz.

2. DETAILED DESCRIPTION

2-1 Mechanical

The MODEL MAB radio telephone transmitting and receiving equipment consists of a radio transmitter-receiver unit and a power supply housed in a water-tight molded plastic case, a collapsible whip antenna, a carbon microphone with press-to-talk switch, and a head-set which can be worn under the standard metal helmet.

2-1 (a) Radio Transmitter-Receiver Unit

The Navy Type CCI-43045 Radio Transmitter-Receiver Unit includes both the transmitter and receiver built in one hardened aluminum alloy chassis. On the chassis are mounted all the vacuum tubes for receiver and transmitter, two crystals, receiver oscillator coil, IF transformers, antenna coupling transformer, and audio transformers and inductors. A bakelite detail on the underside of the chassis is used to mount most of the resistors and most of the condensers of the unit. Slug tuning is used for adjustment of all tuned circuits, and spring locks are provided on all of the variable adjustments to assure that tuning will not change under vibration. Also spring type tube locks hold the tubes in their sockets.

All audio transformers and inductors, (T-101A, T-101B and L-103) are potted in wax in one metal container. Connections to these transformers are made by color-coded flexible wire and are brought out through a bakelite detail on the bottom of the container.

Specification details of this transformer assembly as well as of the RF choke, antenna coupling transformer, receiver oscillator coil, antenna load coil and IF transformer assemblies are given in Table 4.

The crystals in both transmitter and receiver sections, in Navy Type -40125 crystal holders, are the "zero temperature coefficient" type.

All voltages for the Radio Transmitter-Receiver Unit, as well as antenna lead and all necessary controls, terminate in an 11 pin female receptacle, (J-101),

NAVY TYPE MAB
RADIO TELEPHONE TRANSMITTING & RECEIVING EQUIPMENT

mounted on one end of the chassis. An aluminum shield cover, fastened to the chassis by four screws, must be removed to replace any of the vacuum tubes or crystals. Holes in this cover are provided so that all tuning controls can be reached without requiring removal of the shield.

2-1 (b) Power Unit

Two power units are available for operating the MODEL MAB equipment. The primary power unit consists of a Type CRF-20221 vibrator power unit, powered by a Type -19046 non-spillable lead acid storage battery. A clamping arrangement holds the battery and vibrator power unit together as an integral unit, and also maintains the necessary electrical contact between the two. A complete description of this battery and vibrator power unit as well as all necessary operation and maintenance data, is included in Instruction Book for Navy Type CRF-20221 Power Supply Equipment.

As an alternate source of power, the Type -19027A dry battery pack may be used. This battery pack is considered satisfactory only for emergency operation when no vibrator power unit is available.

2-1 (c) Plastic Carrying Case

The Navy Type CZP-10162 plastic case is divided into two compartments, the power supply fitting into one and the Radio Transmitter-Receiver Unit into the other. The plastic cover, Navy Type CZP-10163, is fastened to the case by three captivated thumb screws which screw into brass inserts molded in the case. A rubber gasket in this plastic cover makes contact with a raised lip around the top of the plastic case, making a watertight seal. The antenna lead, and the microphone and headset cable assembly enter the plastic top through fittings which are provided with rubber packing glands to make the cable entrances watertight. A frequency designation plate, on which the frequency channel is marked, is also mounted on this cover.

2-1 (d) Antenna and Load Coil Assembly

The antenna and load coil assembly, Navy type

CCI-66081, consists of a seven section collapsible antenna, in a bakelite tube, and a plastic case housing the antenna load coil cemented to this tube. All sections of the antenna must be fully extended before they are locked in position. The antenna is completely watertight in either extended or collapsed position. A rubber bumper at the end of the smallest antenna section, when pressed into the end of the bakelite housing; holds the assembly locked in the collapsed position.

The telescoping antenna sections are covered with a lusterless green baked lacquer finish to make the surface non-reflecting.

The antenna and load coil assembly can be tuned to any frequency in the range of the MODEL MAB equipment by means of the slug-tuned load coil in the antenna housing. A screw at the base of this molded antenna housing must be removed to expose the tuning control Connection to the radio unit from the antenna is accomplished by a rubber-covered lead which enters the molded antenna housing through a fitting and packing arrangement similar to that used on the plastic case cover. This antenna lead terminates in a concentric break-away connector.

2-1 (e) Microphone, Headset, and Cables

Two cables enter the plastic case cover through watertight fittings. One is the Type CTE-49212 antenna lead, which terminates in a concentric breakaway connector for connection to the antenna. The other is the Type CTE-49213 microphone and headset cable assembly which is a "Y"-cord, one leg of which terminates in a flat type breakaway connector for connection to the headphones. The other leg goes through the Type CTE-24159 "OFF-ON" switch to the Type CTE-51042 microphone.

The "Off-On" switch is a small sleeve type push-through switch. A red disk on one side and a black disk on the other indicate "position" of the switch. The circuit is closed ("On" position) by pushing the button "in" on the red disk side.

The Type CTE-51042 microphone is a single button carbon type with the press-to-talk switch mounted in the case.

The Navy Type CTE-49214 headphone assembly consists of the Type CTE-49216 headphone cord connecting two Type CUP-49215 headphone units in series and terminating in a flat-type breakaway connector. The two headphone units fit into pockets in a canvas skull cap worn under the standard metal helmet.

2-2 Electrical

The circuits of the receiver section of the MODEL MAB equipment are those of a four-tube superheterodyne, employing a tuned antenna coil, a 1R5 oscillator-mixer tube, a 1T4 IF amplifier, a 1S5 second detector and first audio amplifier, and a 3S4 audio output stage, transformer-coupled to the headphones. The transmitter section employs a 1T4 crystal oscillator, a 3S4 modulator tube in a Class A Heising modulator circuit, and a 3S4 power amplifier stage. A single antenna coupling transformer, (T-102), is utilized both as receiver antenna coil and as transmitter antenna coupling transformer. Low-drain miniature type tubes are used throughout, and all tuned circuits are slug-tuned. Transfer from receiver to transmitter is by means of the "press-to-talk" switch in the microphone case, which is arranged to switch the receiver filaments off when transmitting and the transmitter filaments off when receiving.

Due to the use of a common tuned element, (T-102), in both transmitter and receiver circuits, the transmitter and receiver must always be aligned on the same frequency.

2-2 (a) Receiving Circuits

In the receive position, the signal from the tuned antenna is passed through the tuned antenna coupling transformer, (T-102), to the grid of the oscillator-mixer tube through a coupling condenser, (C-101). The oscillator-mixer tube, (V-101), a Type 1R5 tube, functions in a dual capacity, one section operating as a

crystal controlled local oscillator, the other section operating as a first detector, with the signal frequency impressed on the signal grid, pin No. 6. The crystal oscillator is coupled to this signal grid through a small condenser, (C-102). The crystal oscillator coil, (L-101), is slug-tuned. The oscillator frequency, determined by the receiver crystal frequency, must always be higher than the signal frequency by 455 kc., the IF frequency.

The plate circuit of the first detector stage is coupled through IF transformer Z-101 to the grid of the intermediate frequency amplifier tube, (V-102), Type 1T4. The output of this stage is passed through another IF transformer, (Z-102), to the diode plate of V-103, a Type 1S5 vacuum tube. This tube functions as a second detector, AVC voltage rectifier, and first audio amplifier. Audio voltage developed in the detector portion of this stage is coupled through condenser C-111 to the signal grid, (pin No. 6), of the same tube, (V-103), where it is amplified. This stage is resistance coupled to the audio output stage which employs a Type 3S4 power pentode, (V-104). The plate circuit of this stage is coupled to the 600 ohm headset through the output transformer, (T-101A). The maximum audio power output which can be obtained in this headset is approximately 6.0 milliwatts.

The AVC voltage for this receiver is obtained from the diode section of V-103, filtered through resistor R-103 and condenser C-110, and applied to first detector and IF amplifier stages. In addition, in order to prevent RF feedback from the transmitter into the receiver, grid bias voltage from grid No. 6 of the transmitter oscillator tube, (V-106), is applied to the receiver diode, AVC line and first audio stage control grid, biasing them beyond cut-off.

2-2 (b) Transmitter Circuits

The transmitter section of the Model MAB Equipment consists of a crystal oscillator stage, an RF amplifier stage and a modulator stage.

NAVY TYPE MAB
RADIO TELEPHONE TRANSMITTING & RECEIVING EQUIPMENT

The oscillator circuit consists of a Type 1T4 tube, (V-106), triode-connected as a Pierce crystal oscillator, with the crystal connected between plate and grid of the tube. The RF choke of the oscillator plate circuit is L-102. The modulator tube, (V-107), is a Type 3S4 power pentode, connected in a Heising modulation circuit, with the grid driven directly by a carbon microphone through input transformer, (T-101B). The modulation reactor is L-103. Both screen and plate of the RF power amplifier tube, (V-105), are modulated.

The RF power amplifier output stage of the transmitter employs a Type 3S4 power pentode, (V-105). RF drive for the grid of this tube is obtained by coupling directly to the grid of the RF oscillator tube, (V-106), with the same grid leak resistor, (R-114), used for both tubes. The antenna coupling transformer, (T-102), of this power output stage is coupled inductively to the antenna.

Side-tone in the headphones during the transmission period is provided in the Model MAB Equipment by coupling a small amount of the modulator tube output to the primary of the receiver output transformer, (T-101A). This is accomplished by means of a 250,000 ohm resistor, (R-111), connected from the plate of the modulator tube, (V-107), to the plate of the audio output tube, (V-104).

2-3 Power Supply Current Drains

A tabulation of the normal voltage and current requirements of both receiver and transmitter is as follows:

Receiver Section

Plates and Screens	(67.5v.)	-----	3.0 MA
	(135.0v.)	-----	4.0 MA
Filaments	(1.5v.)	-----	225.0 MA
Bias and Microphone	(6.0v.)	-----	0.0 MA

Transmitter Section

Plates and Screens	(67.5v.)	-----	1.5 MA
	(135.0v.)	-----	19.0 MA
Filaments	(1.5v.)	-----	225.0 MA
Bias and Microphone	(6.0v.)	-----	30.0 MA

3. INSTALLATION

3-1

Unpack all units of the Model MAB equipment.

Remove the plastic top from the plastic case by unscrewing the three thumb screws in the cover, loosening the center screw first. Care should be observed not to damage the rubber gasket if it tends to stick to the case.

The equipment is shipped with the radio transmitter-receiver unit in place in the plastic case. The power unit should be inserted into the case in its proper compartment, and the plastic top replaced, inserting the power unit plug and radio unit plug into their respective sockets. All thumb screws should be tightened uniformly. Instructions for preparing the lead acid storage battery, Type -19046 for use will be found in Appendix "A".

3-2

The equipment can be secured to the operator's person, carried either in the canvas case or in a uniform pocket, and the skull cap containing the headphones placed under the metal helmet. Attach the flat-type break-away connector to the headset and the concentric break-away connector to the antenna, and extend the antenna to full length.

4. OPERATION

4-1

Before transmitting or receiving, the "Off-On" switch in the microphone lead must be in the "On" position (red button pressed). A rush of background noise should be heard in the headset after this operation, indicating that the receiver is operative.

To operate the transmitter, the "press-to-talk" switch, located in the microphone case, is pressed. The microphone should be held close to the operator's mouth when transmitting, and a normal tone of voice used. Transmissions should be as brief as possible to conserve battery life.

To receive again, after a transmission period, the press-to-talk switch must be released.

4-2

When two or more Model MAB equipments are to be operated together, an indication that they are all on the same operating frequency can be obtained by operating the receivers of all equipments, and then depressing the "press-to-talk" switch of any one equipment. When this is done, the background rush in all of the headsets will disappear if all equipments are operating on the same frequency.

5. MAINTENANCE

5-1 General

The power supply should be maintained in a "fresh" condition at all times. For maintenance of the vibrator power and lead-acid storage battery unit, see the Instruction Book for Navy Type CRF-20221 Power Supply Equipment. If the alternate power supply, dry battery pack, Type -19027A, is used, this battery should not be stored in the equipment case for more than a few days when the equipment is not in use. Batteries should always be replaced when the power supply voltages are low, as indicated by poor receiver sensitivity and reduced transmitter output.

Failure of the Model MAB equipment will most often be due to rundown batteries, bad vibrator or poor vacuum tubes. Before checking for more obscure circuit faults, the power supply should be replaced, and the tubes checked by substitution. The miniature type tubes used in this equipment are fragile, and to prevent breakage, the tubes should be carefully inserted in their respective sockets, rocking the tubes slightly if the socket holes are tight. For a list of circuit faults and possible causes, see "Troubleshooting," paragraph 5-3.

NOTE: ALL TUBES SUPPLIED WITH THE EQUIPMENT OR AS SPARES ON THE CONTRACT SHALL BE USED IN THE EQUIPMENT PRIOR TO EMPLOYMENT OF TUBES FROM GENERAL STOCK.

5-2 Alignment

The same procedure is followed in this equipment both for re-alignment of receiver and transmitter, and for effecting a change of operating frequency. For the latter, a set of crystals for the new operating frequency must first be installed. (See Table 5.) Whenever a change of operating frequency is made, the correct channel designation should be marked on the plastic plate located on the Type CZP-10163 cover. (See Table 5).

5-2 (a) Alignment Equipment

All tuned circuits of both transmitter and receiver of the Model MAB equipment, as well as the Type CCI-66081 antenna, can be completely aligned and resonated by using the Navy Type CCI-60063 alignment oscillator. This equipment consists of a self-contained crystal controlled signal generator capable of continuously variable output between approximately 1.0 and 100,000 microvolts. The output signal is modulated at 30 percent and the modulating frequency is approximately 400 cycles. An antenna-current indicator is provided for resonating the antenna.

The receiver section of the Model MAB equipment can also be aligned by use of any standard signal generator which will cover the frequency range of 2.3 to 4.6 megacycles. When this equipment is used, a 150 ohm non-inductive, (carbon type), resistor must be connected between the "high" side of the signal generator and the antenna connector. The antenna load coil can be resonated using a Field Strength Meter, Type CCI-60041.

All variable adjustments provided for the tuned circuits of the Model MAB equipment can be adjusted by using a small end screwdriver and a 3/16 inch hex nut wrench. This tool is furnished as an item of the Spare Parts equipment of the Model MAB, and is also furnished with the Navy Type CCI-60063 alignment oscillator.

5-2 (b) Alignment Procedure, using Type CCI-60063 Alignment Oscillator

I. Preparation

To prepare the Model MAB equipment for alignment or for change of operating frequency, the radio transmitter-receiver unit and the power supply unit must first be removed from the plastic case. The metal shield cover should then be removed from the radio unit and crystals of the proper frequency for the channel selected inserted. (See Table 5). All adjustments can be reached through openings provided in the shield cover.

NOTE: FOR COMPLETE INSTRUCTIONS IN USE OF TYPE CCI-60063 ALIGNMENT OSCILLATOR REFER TO THE INSTRUCTION BOOK FURNISHED WITH THE EQUIPMENT.

The cover of the Alignment oscillator should first be removed and the ground lead from the cover clipped to the ground terminal of the oscillator. Insert the handle of the antenna and load coil assembly in the opening provided and connect the breakaway connector to the antenna lead. Connect the Radio Transmitter-Receiver Unit, with shield cover in place, to the 11-contact plug. Insert a power supply with fresh battery in the recess provided, and plug the microphone and cover assembly, into this power supply and the 11-contact connector socket. The headset assembly can now be connected in the normal manner. A crystal of the same frequency as the channel frequency to which the Model MAB equipment is to be aligned should be inserted in the socket provided in the alignment oscillator.

The Model MAB "Off-On" switch should be pressed to the "On" position, and the switch of the Type CCI-60063 Alignment Oscillator turned on. The multiplier and microvolt switches should be manipulated to keep the headphone signal barely audible for most accurate alignment.

2. Receiver Alignment

NOTE: REFER TO FIGURES 5, 6, AND 7 FOR LOCATION OF TUNING ADJUSTMENTS.

Adjust the tuning control of the oscillator coil, (L-101), for maximum signal in the headphones. Next adjust the tuning control of the antenna coupling transformer, (T-102), for maximum headphone response. Then refine the adjustments of coils L-101 and T-102 by repeating the above procedure.

Proceed next to adjust the tuning slugs on both the top and bottom of each of the two IF transformers, (Z-101 and Z-102), individually for maximum head-

phone response. After the IF stage has been aligned, the oscillator tuning and antenna adjustments should again be checked, followed by a final check on the IF transformers.

3. Transmitter Alignment

Due to the use of a common tuned element, (T-102), as both receiver antenna coil and transmitter antenna coupling transformer, the transmitter circuits are aligned when the receiver alignment is complete. To tune the antenna load coil, (L-301), first remove the screw on the bottom of the load coil housing, exposing the load coil adjustment which consists of a slotted screw-head extending from the coil can. Turn the multiplier switch to the "ANT" position. Check the antenna to insure that it is extended fully. Press the "press-to-talk" microphone switch, and adjust L-301 for maximum brilliance of the "antenna current" indicator lamp.

A rough indication of the functioning of the transmitter can be obtained by whistling into the microphone, with the "press-to-talk" switch maintained in the "talk" position. The brilliance of the antenna current indicator lamp should increase when this is done. If it does not, improper transmitter modulation is indicated. (See "Troubleshooting", paragraph 5-3).

5-2 (c) Alignment Procedure, using external signal generator

If it is necessary to use a standard signal generator in place of the Alignment Oscillator Type CCI-60063, a 150 ohm non-inductive resistor must be connected between the "high" side of the signal generator and the antenna connector. The procedure for receiver alignment outlined in sub-paragraph 5-2 (b)-2 should then be followed.

Tuning of the antenna load coil, (L-301), as well as the check on transmitter operation described in sub paragraph 5-2 (b)-3 can be made using the indication of Field Strength Meter, Type CCI-60041, in lieu of the indication of the antenna current indicator lamp of

Alignment Oscillator. In using this Field Strength Meter, the meter should be placed approximately six feet from the antenna of the Model MAB equipment.

5-3 Troubleshooting

Failure of the Model MAB equipment will most often be due to a weak power supply or to poor vacuum tubes. Before checking for more obscure circuit faults, the power supply should always be replaced, and the tubes checked by substitution.

A tabulation of some of the more common troubles which it is possible to encounter with this equipment in service use, as well as their possible causes, is given below:

5-3 (a) Transmitter and Receiver

Weak reception accompanied by poor transmission.

Check power supply battery and tubes. Check antenna sections for contact. (Antenna must be fully extended.) Check antenna load coil, (L-301), and antenna coupling transformer, (T-102), for continuity.

Weak reception, transmitter section operating satisfactorily.

Check tubes in receiver. Check alignment of receiver.

Weak transmission, receiver operating satisfactorily.

Check tubes in transmitter. Check "Transmitter Section", (sub-par. 5-3) (c).

Intermittent operation of transmitter, receiver or both.

Check for open or short-circuits. Check for loose connection. Check for moisture inside plastic carrying case due to condensation or leaks in case. Check for defective control cables coming from plastic case cover. Check for bent or corroded plug contacts.

5-3 (b) Receiver Section

No signals, no background noise in headset.

Check tubes, power supply, headset and "OFF-ON" switch in microphone cable.

Background noise in headset, but no signals.

Check power supply battery and receiver tubes.

Check receiver crystal, (Y-101). Check receiver alignment. Check for open or short circuited condenser, (C-103).

5-3 (c) Transmitter Section

No carrier, no sidetone.

Bad tubes or batteries. Defective press-to-talk microphone switch.

No carrier, but sidetone in phones.

Bad oscillator RF choke, (L-102). Bad crystal, (Y-102). Bad PA or oscillator tube, (V-105 or V-106). Open crystal condenser, (C-118).

Very weak carrier (only audible nearby) and no modulation.

Bad transmitter tubes. Weak batteries.

Weak carrier, but modulated.

Open or short-circuited antenna load coil, (L-301). Open or short-circuited antenna coupling transformer, (T-102). Open PA screen resistor, (R-115).

Carrier, but no modulation.

Bad modulator tube, (V-107). Open bias lead to V-107. Defective input transformer, (T-101B). Defective microphone. Open circuit in microphone cables. Short-circuited modulation reactor, (L-103).

NAVY TYPE MAB
RADIO TELEPHONE TRANSMITTING & RECEIVING EQUIPMENT

Carrier, but weak modulation.

Bad modulator tube, (V-107). Short-circuited turns in modulation reactor, (L-103). Defective input transformer, (T-101B). Weak battery in power supply.

Transmitted signal distorted or decreasing antenna current with modulation.

Bad transmitter tubes. Improper alignment. Weak battery in power supply.

5-4 Circuit Checking Data

(See Diagram Fig. 7 for Tube Socket and Pin Locations).

All resistance measurements are made with vacuum tubes and batteries removed, directly from the tube socket pins to ground, (chassis). All voltage measurements should be made with a "fresh" power supply, with the receiver or transmitter operating, and using a 10 megohm vacuum tube voltmeter.

TUBE ELEMENT	PIN	DC VOLTS	OHMS
1R5 Oscillator MIXER TUBE, V-101).			
Plate	2	50	∞
Screen	3	50	∞
Control Grid	6	-0.75	8.0 megohms
Filament	1	0	0
Filament	7	1.4	∞
Oscillator Grid	4	-6	0.1 megohm
1T4 IF amplifier Tube, (V-102).			
Plate	2	63	∞
Screen	3	63	∞
Control Grid	6	-0.75	6 megohms
Filament	1	0	0
Filament	7	1.4	∞

NAVY TYPE MAB
RADIO TELEPHONE TRANSMITTING & RECEIVING EQUIPMENT

TUBE ELEMENT	PIN	DC VOLTS	OHMS
1S5 Detector-1st Audio Tube. (V-103).			
Diode Plate	3	-6	1.25 megohms
Plate	5	14	∞
Screen	4	19	∞
Control Grid	6	-15	6 megohms
Filament	1	0	0
Filament	7	1.4	∞
3S4 Audio Output Tube. (V-104).			
Plate	2,6	125	∞
Screen	4	4.0	∞
Control Grid	3	-6.0	∞
Filament	1	0	∞
Filament C.T.	5	1.4	0
Filament	7	0	∞
3S4 Power Amplifier Tube. (V-105).			
Plate	2,6	125	∞
Screen	4	80	∞
Control Grid	3	-20.0	250M
Filament	1	0	0
Filament C.T.	5	1.4	∞
Filament	7	0	0
1T4 Oscillator Tube. (V-106).			
Plate	2	85	∞
Screen	3	85	∞
Control Grid	6	-20.0	250M
Filament	1	0	0
Filament	7	1.4	∞
3S4 Modulator Tube. (V-107).			
Plate	2,6	125	∞
Screen	4	63	∞
Control Grid	3	-6.0	∞
Filament	1	0	0
Filament C.T.	5	1.4	∞
Filament	7	0	0

NAVY TYPE MAB
RADIO TELEPHONE TRANSMITTING & RECEIVING EQUIPMENT

TABLE 1
LIST OF MAJOR UNITS FOR MODEL MAB
RADIO TELEPHONE TRANSMITTING AND RECEIVING EQUIPMENT

Symbol Group	Navy Type Designation	Name of Major Unit	Assembly Drawing Number
101-199	CCI-43045	Radio Transmitter-Receiver Unit	145-4E-4.1
201-299	CRF-20221	*Vibrator Power Unit	
301-399	CCI-66081	Antenna and Load Coil Assembly	16400
401-499	CCI-51048	Microphone and Cover Assembly	145-4E-3.38
	CCI-49214	Headset Assembly	145-4E-3.38
	CRF-19046	*Lead-Acid Storage Battery	
	-----19027A	*Battery Pack (Dry)	43-8MXX90M4
	CZP-10162	Plastic Case	145-4E-3.13 G
		*Canvas Carrying Case	

*Not furnished by Contractor.

TABLE 2

Transmitter Receiver Unit

PARTS LIST BY SYMBOL DESIGNATION

Navy Type CCI 43045

MODEL MAB RADIO TELEPHONE TRANSMITTING AND RECEIVING EQUIPMENT

Symbol Desig.	Function	Description	Navy Type Number	Navy Drawing or Spec.	Mfg.	Mfg. Desig.	Spec. Toll. or Mod.	Contractors Dwg. and Part No.
CAPACITORS								
C-101	V-101 Grid Coupling	Silver-Mica 0.0005 mfd. 500v. DC working, toler. $\pm 5\%$.	-48691-D5	RE 48A 148C RE 48A 154F	2	1469		2-1469 .0005 mfd.
C-102	V-101 Osc. Neutralizing.	Ceramic, 5 mmfd. 500v. DC working, toler. $\pm 10\%$, neg. temp. coef. 750×10^{-6} per degree C.	-481622-10		47	N750K		47K 5 mmfd.
C-103	V-101 Osc. Screen Bypass	Silver-Mica 0.00025 mfd. 500v. DC working, toler. $\pm 5\%$.	-48690-D5	RE 48A 148C RE 48A 154F	2	1469		2-1469, .00025 mfd
C-104	IF Pri. (Part of Z-101).	Ceramic 45 mmfd. 500v. DC working, neg. temp. coef. 750×10^{-6} per degree C., toler. $\pm 10\%$.			47	N750K		47K 45 mmfd.
C-105	Supply Bypass (V-101).	Mica 0.003 mfd. 500v. DC working, toler. $\pm 20\%$.	-481036	RE 48A 143F RE 48A 154F	4	1W5D3		4-1W5D3 .003 mfd.
C-106	IF Sec. (Part of Z-101).	Ceramic, 35 mmfd. 500v. DC working, neg. temp. coef. 750×10^{-6} per degree C., toler. $\pm 10\%$.			47	N750K		47K 35 mmfd.
C-107	AVC Bypass	Same as C-105.	-481036					
C-108	IF Pri. (Part of Z-102).	Same as C-104.						
C-109	IF Sec. (Part of Z-102).	Same as C-106.						
C-110	Diode Return Bypass V-103.	Same as C-103.	-48690-D5	RE 48A 148C RE 48A 154F	2	1469		2-1469 .00025 mfd.
C-111	Audio Coupling.	Same as C-101.	-48691D5	RE 48A 148C RE 48A 154F	2	1469		2-1469 .0005 mfd.
C-112	V-103 Screen Bypass	Same as C-105.	-491036	RE 48A 143F RE 48A 154F	2	1467		2-1467 .003 mfd.
C-113	V-103 Plate RF Bypass	Same as C-103.	-48690-D5		2	1469		2-1469 .00025 mfd.
C-114	67v. Supply Bypass	Same as C-105	-481036	RE 48A 143F RE 48A 154F	2	1467		.003 mfd.
C-115	Audio Coupling.	Same as C-101.		RE 48A 148C RE 48A 154F	2	1469		2-1469 .0005 mfd.

TABLE 2 (Continued)

Transmitter Receiver Unit
Navy Type CCI 43045

PARTS LIST BY SYMBOL DESIGNATION
MODEL MAB RADIO TELEPHONE TRANSMITTING AND RECEIVING EQUIPMENT

Symbol Desig.	Function	Description	Navy Type Number	Navy Drawing or Spec.	Mfg.	Mfg. Desig.	Spec. Toll. or Mod.	Contractors Dwg. and Part No.
CAPACITORS								
C-116	V-104 Screen Bypass	Paper, .05 mfd., 200v. DC W toler. $\pm 20\%$.	-481621-20		4	ICS2S5A		ICS-2S-5A
C-117	Antenna Tuning.	Same as C-103.	-48690-D5	RE 48A 148C RE 48A 154F	2	1469		2-1469 .00025 mfd.
C-118	Crystal Coupling.	Same as C-101.	-48691-D5	RE 48A 148C RE 48A 154F	2	1469		2-1469 .0005 mfd.
C-119	V-105 Screen Bypass	Same as C-101.	-48691-D5	RE 48A 148C RE 48A 154F	2	1469		2-1469 .0005 mfd.
C-120	Antenna Tuning.	Ceramic, 25 mmfd. 500v. DC neg. temp. coef. 750×10^{-6} degree C., toler. $\pm 10\%$.	-481197-10		47	N750K 2A		47-TS 25 mmfd.
RECEPTACLES								
J-101	Radio Unit.	11 Contact Bakelite.			28	4023		28-4023
INDUCTORS								
L-101	Receiver Oscillator Coil.	See Table 4.			16	M-253617-503		16-M-253617-503
L-102	Oscillator Plate Choke. Modulation Reactor (Assembled with T-101A and T-101B).	See Table 4.	-47272		67	A3274A		145-3.17D 145-3.17C
L-103		See Table 4.	-30964		40 or 33			
RESISTORS								
R-101	V-101 Grid.	2.0 megohms $\frac{1}{4}$ watt pigtail, toler. $\pm 10\%$.	-63433	RE 13A 372G	11	BT- $\frac{1}{4}$		11-BT $\frac{1}{4}$
R-102	V-101 Osc. Grid.	100,000 ohms, $\frac{1}{4}$ watt pigtail, toler. $\pm 10\%$.	-63433	RE 13A 372G	11	BT- $\frac{1}{4}$		11-BT $\frac{1}{4}$
R-103	AVC filter.	5.0 megohms $\frac{1}{4}$ watt pigtail, toler. $\pm 10\%$.	-63433	RE 13A 372G	11	BT- $\frac{1}{4}$		11-BT $\frac{1}{4}$
R-104	V-101 Plate Dropping.	30,000 ohms $\frac{1}{4}$ watt, pigtail, toler. $\pm 10\%$.	-63433	RE 13A 372G	11	BT- $\frac{1}{4}$		11-BT $\frac{1}{4}$
R-105	V-106 Plate Dropping.	20M ohm, $\frac{1}{4}$ watt, pigtail, toler. $\pm 10\%$.	-63433	RE 13A 372G	11	BT- $\frac{1}{4}$		11-BT $\frac{1}{4}$

TABLE 2 (Continued)

**Transmitter Receiver Unit
Navy Type CCI 43045**

PARTS LIST BY SYMBOL DESIGNATION

MODEL MAB RADIO TELEPHONE TRANSMITTING AND RECEIVING EQUIPMENT

Symbol Desig.	Function	Description	Navy Type Number	Navy Drawing or Spec.	Mfg.	Mfg. Desig.	Spec. Toll. or Mod.	Contractors Dwg. and Part No.
RESISTORS								
R-106	V-103 Diode Load.	1 megohm ¼ watt, pigtail, toler. ±10%.	-63433	RE 13A 372G	11	BT-¼		11-BT ¼
R-107	V-103 Grid.	Same as R-103.	-63433	RE 13A 372G	11	BT-¼		11-BT ¼
R-108	V-103 Screen Dropping.	3 megohms, ¼ watt, pigtail, toler. ±10%.	-63433	RE 13A 372G	11	BT-¼		11-BT ¼
R-109	V-103 Plate.	1 megohm, ¼ watt, pigtail, toler. ±10%.	-63433	RE 13A 372G	11	BT-¼		11-BT ¼
R-110	V-104 Grid.	2 megohms, ¼ watt, pigtail, toler. ±10%.	-63433	RE 13A 372G	11	BT-¼		11-BT ¼
R-111	Sidetone Coupling.	250,000 ohms ¼ watt pigtail, toler. ±10%.	-63433	RE 13A 372G	11	BT-¼		11-BT ¼
R-112	V-104 Screen Dropping.	150,000 ohm ¼ watt, pigtail, toler. ±10%.	-63433	RE 13A 372G	11	BT-¼		11-BT ¼
R-113	Regeneration Suppressor.	Same as R-111.	-63433	RE 13A 372G	11	BT-¼		11-BT ¼
R-114	V-105 and V-106 Grid.	Same as R-111.	-63433	RE 13A 372G	11	BT-¼		11-BT ¼
R-115	V-105 Screen Dropping.	20,000 ohms ¼ watt pigtail, toler. ±10%.	-63433	RE 13A 372G	11	BT-¼		11-BT ¼
R-116	Feed-Back Suppressor.	3,300 ohms ¼ watt pigtail, toler. ±10%.	-63433	RE 13A 372G	11	BT-¼		11-BT ¼
TRANSFORMERS								
T-101A	Audio Output.	See Table 4	-30964		40	A3274A		145-3.17C
T-101B	Audio Input.	See Table 4	-30964		or 33	A3274-A		145-3.17C
T-102	Antenna Coupling.	See Table 4.			16	M-253617 502		16-M-253617 502

TABLE 2 (Continued)

Transmitter Receiver Unit

PARTS LIST BY SYMBOL DESIGNATION

Navy Type CCI 43045

MODEL MAB RADIO TELEPHONE TRANSMITTING AND RECEIVING EQUIPMENT

Symbol Desig.	Function	Description	Navy Type Number	Navy Drawing or Spec.	Mfg.	Mfg. Desig.	Spec. Toll. or Mod.	Contractors Dwg. and Part No.
VACUUM TUBES								
V-101	Receiver Oscillator Mixer.	Pentagrid Converter.			16*	1R5		
V-102	IF Amp.	Super-Control RF amplifier Pentode.			16*	1T4		
V-103	Det. 1st Audio.	Diode-Pentode.			16*	1S5		
V-104	Audio Output.	Power Amplifier Pentode.			16*	3S4		
V-105	Power Amplifier.	Same as V-104.			16*	3S4		
V-106	Transmitter Oscillator.	Same as V-102.			16*	1T4		
V-107	Modulator.	Same as V-104.			16*	3S4		
SOCKETS								
X-101	Socket for V-101.	7 pin Miniature Bakelite (Shielded)	-49405		28	2547		28-2547
X-102	Socket for V-102.	Same as X-101.						
X-103	Socket for V-103.	7 pin miniature Bakelite.	-49406		28	2557		28-2557
X-104	Socket for V-104.	Same as X-101.						
X-105	Socket for V-105.	Same as X-103.						
X-106	Socket for V-106.	Same as X-103.						
X-107	Socket for V-107.	Same as X-103.						
X-108	Sockets for Y-101 and Y-102.	Insulated, Double, Bakelite.	-49407		28	9800		28-9800
CRYSTALS								
Y-101	Rec. Crystal.	2 prong 7/16x13/16x1-1/8 inch Bakelite holder.	-40125		17 or Equiv	MC-9 or FT-243	For Replacement	17-MC-9 or FT-243
Y-102	Trans. Crystal.	Same as Y-101.	-40125		17	MC-9	For Replacement	17-MC-9
IF TRANSFORMERS								
Z-101	Input IF Trans.	(See Table 4).	-47278		3	12133		145-3.17E
Z-102	Output IF Trans.	(See Table 4).	-47279		3	12134		145-3.17E
					30			

* Or other Manufacturers.

TABLE 2 (Continued)

**Navy Type 66081 Antenna and
Load Coil Assembly**

PARTS LIST BY SYMBOL DESIGNATION

MODEL MAB RADIO TELEPHONE TRANSMITTING AND RECEIVING EQUIPMENT

Symbol Desig.	Function	Description	Navy Type Number	Navy Drawing or Spec.	Mfg.	Mfg. Desig.	Spec. Toll. or Mod.	Contractors Dwg. and Part No.
INDUCTORS								
L-301	Antenna Load Coil.	See Table 4.			16	M-253617 501		16-M-253617- 501
PLUGS								
P-301	Concentric Breakaway Connector (male)	Molded rubber insulated (Part of W-301).	-49212		13	XX-103		145-3.23
CABLES								
W-301	Antenna lead, Connects P-301 and L-301.	Rubber-covered, single-conductor, stranded wire.	-49212		13	XX-103		145-3.23

TABLE 2 (Continued)

Microphone and Cover Assembly

PARTS LIST BY SYMBOL DESIGNATION

Navy Type CCI 51048

MODEL MAB RADIO TELEPHONE TRANSMITTING AND RECEIVING EQUIPMENT

Symbol Desig.	Function	Description	Navy Type Number	Navy Drawing or Spec.	Mfg.	Mfg. Desig.	Spec. Toll. or Mod.	Contractors Dwg. and Part No.
PLUGS								
P-401	Transmitter-Receiver Unit.	11 contact, Bakelite.			28	2947		28-2947
P-402	Power Supply Unit.	5 contact, Bakelite.			28	M-50		28-M-50
P-403	Concentric Breakaway connector (female).	Molded rubber, insulated, (Part of W-402).	-49212		13	XX-103		145-3.23
P-404	Flat-type Breakaway connector.	Molded rubber insulated, (Part of W-401).	-49213		13	XX-102		145-3.23
SWITCHES								
S-401	"Off-On" switch.	SPST, push-through type, (Part of W-401).	-24159		13	TC-128-2		145-4E-3.38
S-402	Press-to-talk switch.	Part of MI-401.						
CABLES								
W-401	Cable assembly, terminating in P-104, P-404, and MI-401.	"Y"-cord, rubber-covered, 5 conductor bet. P-401 and "Y", 4-cond. betw. "Y" and MI-401, and 2-cond. bet. "Y" and P-404.	-49213		13	XX-102		145-3.23
W-402	Antenna lead, Connects P-403 and P-401.	Rubber-covered, single-conductor, stranded wire.	-49212		13	XX-103		145-3.23
MICROPHONES								
MI-401	Microphone.	Single button carbon, including "press-to-talk" switch S-402.	-51042		13	RS-38A		145-3.23

TABLE 3
SPARE PARTS LIST BY SYMBOL DESIGNATION
MODEL MAB RADIO TRANSMITTING AND RECEIVING EQUIPMENT

Quan.	Navy Type Number	All Symbol Designations	Description	Navy Drawing or Spec.	Mfg.	Mfg. Desig.	Special Tolerance Rating or Modification	Contractors Dwg. & Part Number
10	-48691-D5	C-101, C-111, C-115, C-118, C-119	Silver-Mica Capacitor 0.0005 mfd. 500v. DC working, toler. $\pm 5\%$.	RE 48A 148C RE 48A 154F	2	1469		2-1469 .0005 mfd.
2	-481622-10	C-102	Ceramic Capacitor 5 mmfd. 500v. DC working, toler. $\pm 10\%$ (neg. temp. coef. 750×10^{-6} per degree C.		47	N750K-5		47K 5 mmfd.
8	-48690-D5	C-103, C-110, C-113, C-117	Silver-Mica Capacitor 0.00025 mfd. 500v. DC W toler. $\pm 5\%$.	RE 48A 148C RE 48A 154F	2	1469		2-1469 .00025 mfd.
8	-481036	C-105, C-107, C-112, C-114	Mica Capacitor 0.003 mfd. 500v. DC W toler. $\pm 5\%$.	RE 48A 143F RE 48A 154F	4	1W-5D3		4-1W5D3 .003 mfd.
2	-481621-20	C-116	Paper Capacitor, .05 mfd. 200v. DC W toler. $\pm 20\%$.		4	ICS2S5A		ICS-2S-5A
2	-481197-10	C-120	Ceramic Capacitor, 25 mmfd. 500v. DC neg. temp. coef. 750×10^{-6} Degree C., toler. $\pm 10\%$.		47	N-750K-25		47-TS 25 mmfd.
**2		J-101	11 Contact Bakelite Rec.		28	4023		28-4023
2		L-101	See Table 4.		16	M-253617 503		
5	-47272	L-102	See Table 4.		67	145-3.17D		145-3.17D
4	-63433	R-101, R-110	2.0 megohms $\frac{1}{4}$ watt pigtail resistor, toler $\pm 10\%$	RE 13A 372G	11	BT- $\frac{1}{4}$		
2	-63433	R-102	100,000 ohms, $\frac{1}{4}$ watt pigtail resistor, toler $\pm 10\%$.	RE 13A 372G	11	BT- $\frac{1}{4}$		
4	-63433	R-103, R-107	5.0 megohms $\frac{1}{4}$ watt, pigtail resistor, toler $\pm 10\%$.	RE 13A 372G	11	BT- $\frac{1}{4}$		11-BT $\frac{1}{4}$
2	-63433	R-104	30,000 ohms $\frac{1}{4}$ watt, pigtail resistor, toler $\pm 10\%$.	RE 13A 372G	11	BT- $\frac{1}{4}$		
4	-63433	R-105, R-115	20,000 ohms, $\frac{1}{4}$ watt, pigtail resistor, toler $\pm 10\%$.	RE 13A 372G	11	BT- $\frac{1}{4}$		
4	-63433	R-106, R-109	1 megohm $\frac{1}{4}$ watt, pigtail resistor, toler $\pm 10\%$.	RE 13A 372G	11	BT- $\frac{1}{4}$		

**Associated Hardware included.

TABLE 3
SPARE PARTS LIST BY SYMBOL DESIGNATION
MODEL MAB RADIO TRANSMITTING AND RECEIVING EQUIPMENT

Quan.	Navy Type Number	All Symbol Designations	Description	Navy Drawing or Spec.	Mfg.	Mfg. Dwg.	Special Tolerance Rating or Modification	Contractors Dwg. & Part Number
2	-63433	R-108	3 megohms, ¼ watt, pigtail resistor, toler.±10%.	RE 13A 372G	11	BT-¼		
6	-63433	R-111, R-113, R-114	250,000 ohms ¼ watt, pigtail resistor, toler.±10%.	RE 13A 372G	11	BT-¼		
2	-63433	R-112	150,000 ohms ¼ watt, pigtail resistor, toler.±10%.	RE 13A 372G	11	BT-¼		
2	-63433	R-116	3,300 ohms ¼ watt, pigtail resistor, toler.±10%.	RE 13A 372G	11	BT-¼		
**10	-30964	T-101A, T-101B, L-103	See Table 4.		40	A-3274-A		
**2		T-102	Antenna Coupling Transformer (See Table 4).			M-253617 502		16-M-253617-502
**8	-49405	X-103, X-105, X-106 X-107	7 pin Miniature Bakelite socket		28	2547		28-2547
**6	-49406	X-101, X-102, X-104	7 pin Miniature Bakelite socket (shielded).		28	2557		28-2557
**2	-49407	X-108	Insulated, Double Bakelite crystal socket.		28	9800		28-9800
**2	-47278	Z-101	Input IF 455 Kc (see Table 4).		3	12133		145-3.17E
**2	-47279	Z-102	Output IF 455 Kc (see Table 4).		3	12134		
**3	-66081	L-301	Antenna and Load Coil Assembly.		16	M-253617 501		
**3	-51048	MI-401, S-401, W-402 W-401	Microphone and Cover Assembly, Cover, on-off switch, Antenna cord, Microphone cord and Microphone.		8	145-4E-3.38		145-4E-3.38

**Associated Hardware included.

TABLE 3
SPARE PARTS LIST BY SYMBOL DESIGNATION
MODEL MAB RADIO TRANSMITTING AND RECEIVING EQUIPMENT

Quan.	Navy Type Number	All Symbol Designations	Description	Navy Drawing or Spec.	Mfg.	Mfg. Desig.	Special Tolerance Rating or Modification	Contractors Dwg. & Part Number
MISCELLANEOUS								
**7			Stainless Steel Tube Clamp.		69	145-V40		145-V40
2			L. Nat. Bakelite Resistor Mount.		8	145-R-137		145-R-137
**2			Stainless Steel Cond. Hold Down.		8	145-2.8		145-2.8
1			Aluminum .032-52S.		8	145-4E-2.3		145-4E-2.3
1			Crystal Hold Down.		8	145-4E-2.10		145-4E-2.10
**1			Protector Strip.		8	145-4E-R-149		145-4E-R-149
**1	-10162		Plastic Case.		76	145-4E-3.13G		145-4E-3.13G
3 pr.	-49215		Headphones		67			
WIRE AND INSULATION								
*2 ft.			#26 Commercial Lenz Wire, Black.		73	26 Commercial		
*2 ft.			#26 Commercial Lenz Wire, Green.		73	26 Commercial		
*2 ft.			#26 Commercial Lenz Wire, Red.		73	26 Commercial		
*2 ft.			#26 Commercial Lenz Wire, Blue.		73	26 Commercial		
*2 ft.			#26 Commercial Lenz Wire, Brown.		73	26 Commercial		
*2 ft.			#26 Commercial Lenz Wire, Slate.		73	26 Commercial		
*2 ft.			#26 Commercial Lenz Wire, White.		73	26 Commercial		
*2 ft.			#26 Commercial Lenz Wire, Orange.		73	26 Commercial		
*.5 ft.			#20 Irvolite Insulation.		72	XTE-30		
*.5 ft.			#12 Irvolite Insulation.		72	XTE-30		
CRYSTALS								
1 ea.	-40125		2 prong 7/16x13/16x1 1/8". Bakelite Crystal Holder. Transmitting and Receiving.		17 or Equiv.	MC-9 or FT-243		17-MC-9 or FT-243
**Associated Hardware included. *All wires cut to length.								

TABLE 4
TRANSFORMER AND COIL ASSEMBLY DATA FOR
MODEL MAB RADIO TRANSMITTING AND RECEIVING EQUIPMENT

Symbol Symbol	Function	Drawing Number	Navy Number	No. of Turns	Wire Size	Insulation	Volt Test	Tuning or Core	Dia. Coil Form	Test Frequency MC.	A. C. Inductance MH.	Q	Coil Frequency Range	Imped- ance	D.C. Resistance Ohms	Spec.
L-101	Rec. Osc. Coil	M-253617- 503		31	#34	En.		Slug	.273	5.4 to 2.5	3.62 to 16.1	67 to 62	5.4 to 2.5 MC			
L-102	Osc. Plate. Choke	145-3.17D	-47272	500	#38	S.S.E.		Dummy ¼ w Resistor	¼"	500 KC	1700	36				
*T-101A	Audio Out- put Trans.	145-3.17C	-30964	2500 Pri. 860 Sec.	#40 #36	S.E. S.E.	500v. 500v.	Iron Iron	¼"-#29 ¼"-#29	660 CPS 2200 CPS	6 0.5	3.4 2.1	200 to 5000 KC 100 to 10,000	5000 Pri. 600 Sec.	500 43	Metal Case Metal Case
*T-101B	Audio Input	145-3.17C	-30964	400 Pri. 10000 Sec.	#43 #37	S.E. S.E.	500v. 500v.	Iron Iron	¼"-#29 ¼"-#29	2300 CPS 130 CPS	0.5 150	0.4 0.2	200 to 5000 KC	Pri. 125 Sec. 80000	21 3300	Metal Case Metal Case
*L-103	Mod. Reactor	145-3.17C	-30964	3150	#37	S.E.	500v.	Iron	¼"-#29	575 CPS	7.6	3.5			240	Metal Case
Z-101	Input IF	145-3.17E	-47278	510 Pri. 600 Sec.	5-44	S.S.E. Litz S.S.E. Litz		Slug Slug	.223 .223	455 KC	1.2 1.7	58 58	445 to 475 KC	300 M Pri. 500 M Sec.	30 26	45 mmfd. Padders 30 mmfd. Padders
Z-102	Output IF	145-3.17E	-47279	510 Pri. 600 Sec.	5-44 5-44	S.S.E. Litz S.S.E. Litz		Slug Slug	.223 .223	455 KC	1.2 20.6	58 58	445 to 475 KC	300 M Pri. 500 M Sec.	30 26	45 mmfd. Padders 30 mmfd. Padders
T-102	Antenna Coupling Transformer	M-253617- 501		Pri. 75 ¼ Sec. 99 ¾	#35 #35	En. En.		Slug	Top of Sec. .283	5 MC. 5 MC. 2.2	23.4 to 114.7	79 to 64	2.3 to 4.6 MC	2.3 to 4.6		Shield Can
L-301	Antenna Load Coil	M-253617- 502		145	#41	Silk En.		Slug		3.6 1.5	46.5 to 242	79 to 121				Shield Can
*Note:	T-101A, T-101B and L-103 are potted in one can..															

TABLE 4

NAVY TYPE MAB
RADIO TELEPHONE TRANSMITTING & RECEIVING EQUIPMENT

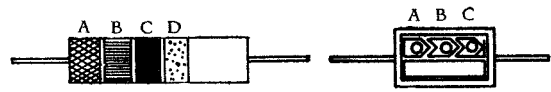
TABLE 5

**Channel Designation and Crystal Frequency Data for
Model MAB Transmitting and Receiving Equipment**

Channel Designation	Transmitter Crystal Frequency - Kc.	Receiver Crystal Frequency - Kc.
A	2436	2891
B	2772	3227
C	2304	2759
D	3035	3490
E	3155	3610
F	3585	4040
G	3725	4180
H	3865	4320
J	3995	4450
K	4105	4560
L	4435	4890
M	2356	2811
N	2506	2961
O	2554	3009
P	2604	3059
R	2656	3111
S	2744	3199
T	2844	3299
U	2884	3339
V	2952	3407

NOTE: Equipment operating frequency and transmitter crystal frequency is identical. Receiver crystal frequency is equal to transmitter crystal frequency plus 455 kc.

Table 6.
RMA STANDARD COLOR CODE FOR RESISTORS IN OHMS
AND CAPACITORS IN M. M. F.



A— COLOR FOR 1ST SIGNIFICANT FIGURE.
 B— COLOR FOR 2ND SIGNIFICANT FIGURE.
 C— COLOR FOR NO. OF CIPHERS OF MULTIPLIER.
 D— GOLD OR SILVER INDICATES TOLERANCE, WHEN APPLIED.

COLOR	SIGNIFICANT FIGURE	MULTIPLYING VALUE
BLACK	0	1
BROWN	1	10
RED	2	100
ORANGE	3	1,000
YELLOW	4	10,000
GREEN	5	100,000
BLUE	6	1,000,000
VIOLET	7	10,000,000
GRAY	8	100,000,000
WHITE	9	1,000,000,000
GOLD	5% TOLERANCE	0.1
SILVER	10% TOLERANCE	0.01
NO COLOR	20% TOLERANCE	

EXAMPLES

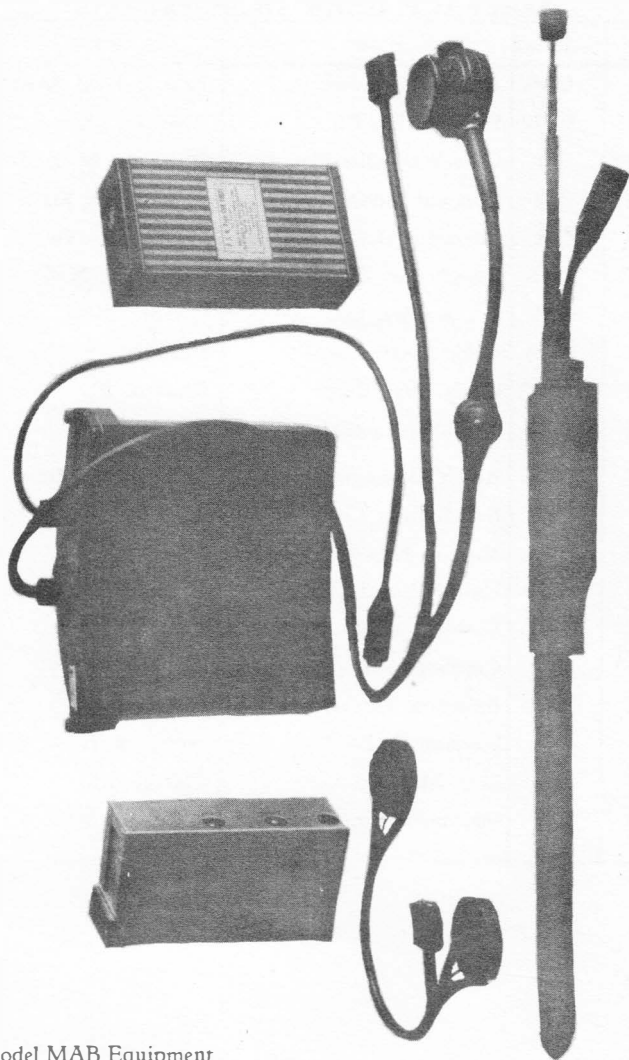
43,000 OHMS	YELLOW (4)	ORANGE (3)	ORANGE (X1000)
3,000 OHMS	ORANGE (3)	BLACK (0)	RED (X100)
3.3 OHMS	ORANGE (3)	ORANGE (3)	GOLD (0.1)

NAVY TYPE MAB
RADIO TELEPHONE TRANSMITTING & RECEIVING EQUIPMENT

TABLE 7
MANUFACTURERS' DESIGNATIONS

CODE NO.	DESIG. NO.	NAME	ADDRESS
2	CAW	Aerovox Corporation,	New Bedford, Mass.
3	CFW	F. W. Sickles Co.,	Chicopee, Mass.
4	CD	Cornell Dubilier Elec.,	Plainfield, N. J.
8	CCI	Communications Co., Inc.	Coral Gables, Fla.
11	CIR	International Resistance Co.,	Philadelphia Pa.
13	CTE	Telephonics, Inc.,	New York, N. Y.
16	CRV	R.C.A. Mfg. Co.,	Camden, N. J.
17	CQB	Bliley Electric Co.,	Erie, Pa.
28	CMG	Cinch Mfg. Corp.,	Chicago, Ill.
33	CUT	United Transformer Co.	New York, N. Y.
40	CUD	Audio Development Co.,	Minneapolis, Minn.
47	CER	Erie Resistor Corp.,	Erie, Pa.
52	CML	Meissner Mfg. Co.	Mt. Carmel, Ill.
61	CUP	United Pressed Products,	Chicago, Ill.
67	CUP	Carron Co.	Chicago, Ill.
69		Cuyahoga Spring Co.,	Cleveland, Ohio
72		Irvington Varnish & Insulator Co.,	Irvington, N. J.
73		Lenz Mfg. Co.,	Chicago, Ill.
76	CZP	Plastimold, Inc.,	Attleboro, Mass.

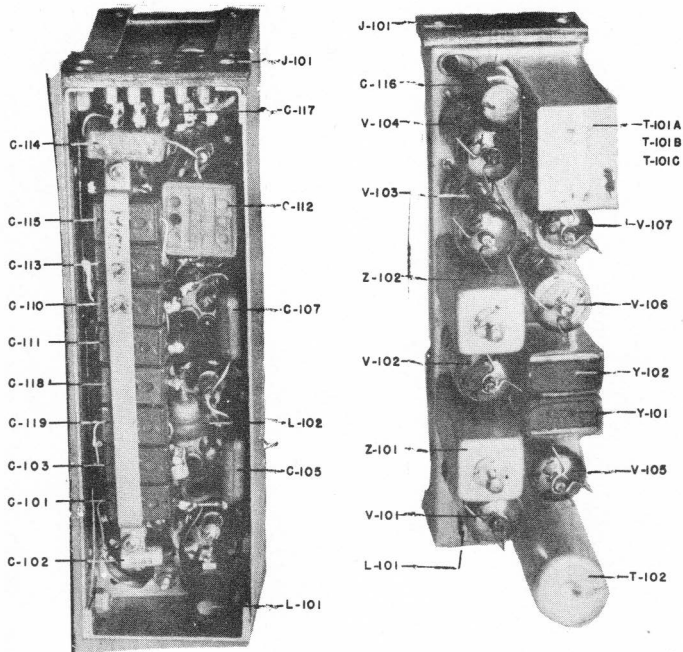
NAVY TYPE MAB
RADIO TELEPHONE TRANSMITTING & RECEIVING EQUIPMENT



Model MAB Equipment

Fig. 1.

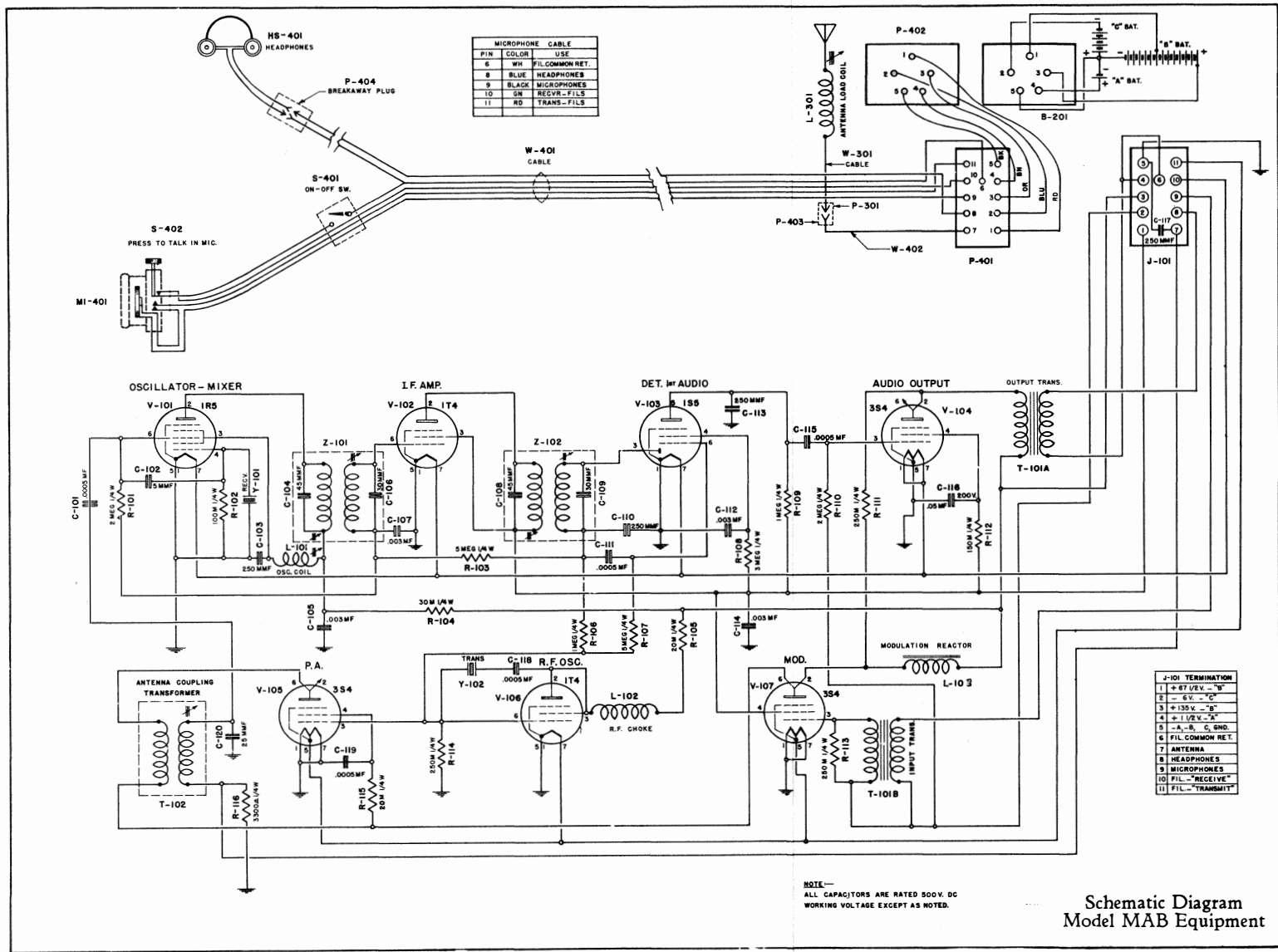
NAVY TYPE MAB
RADIO TELEPHONE TRANSMITTING & RECEIVING EQUIPMENT



MODEL MAB
 RADIO TRANSMITTER & RECEIVER

TOP AND BOTTOM VIEWS
 OF RADIO UNIT
 FIG. 2

NAVY TYPE MAB RADIO TELEPHONE TRANSMITTING & RECEIVING EQUIPMENT

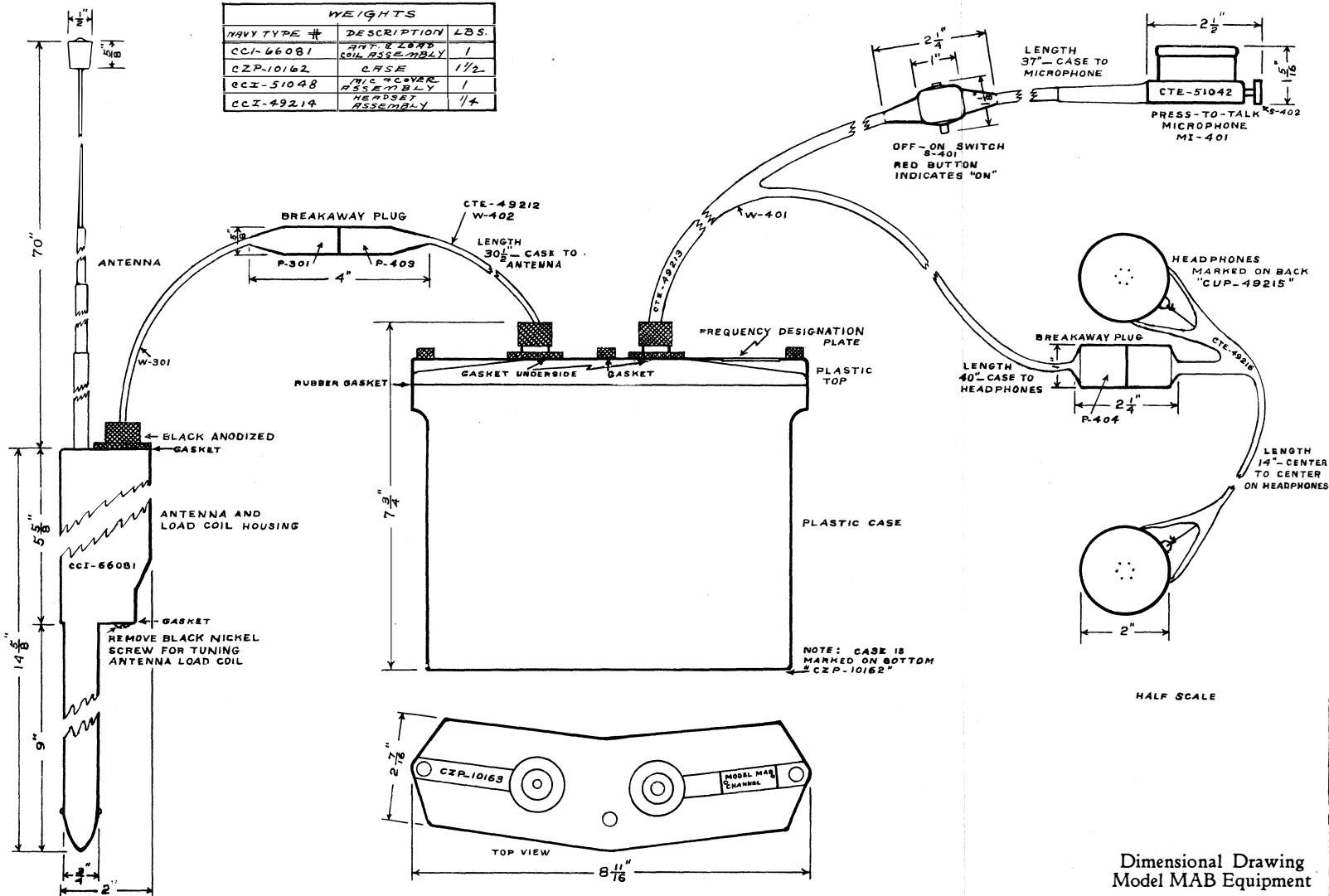


NOTE—
ALL CAPACITORS ARE RATED 500V. DC
WORKING VOLTAGE EXCEPT AS NOTED.

Schematic Diagram
Model MAB Equipment

**NAVY TYPE MAB
RADIO TELEPHONE TRANSMITTING & RECEIVING EQUIPMENT**

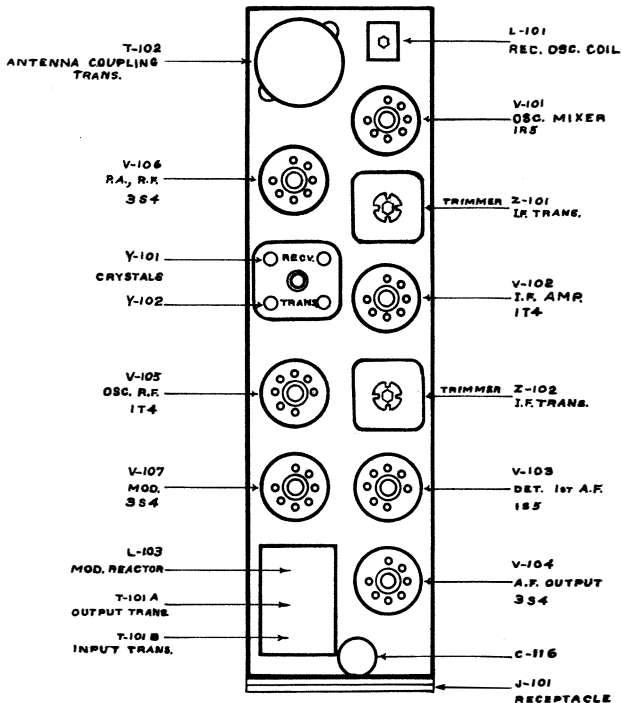
WEIGHTS		
NAVY TYPE #	DESCRIPTION	LBS.
CCI-66081	ANT. & LOAD COIL ASSEMBLY	1
CZP-10162	CASE	1 1/2
CCZ-51048	MICROPHONE ASSEMBLY	1
CCZ-49214	HEADSET ASSEMBLY	1/4



HALF SCALE

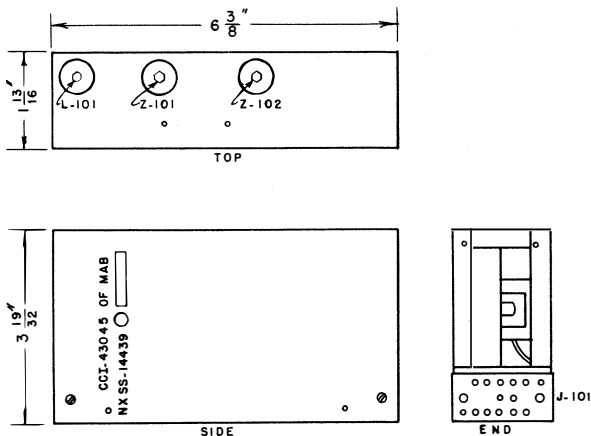
Dimensional Drawing
Model MAB Equipment

NAVY TYPE MAB
RADIO TELEPHONE TRANSMITTING & RECEIVING EQUIPMENT



Type CCI-43045 Transmitter-Receiver Unit
 Placement Diagram—Top View
 Model MAB Equipment

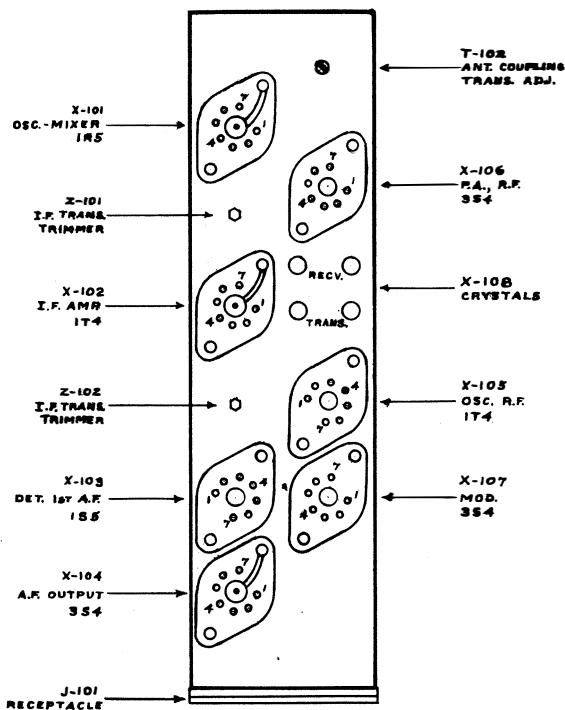
NAVY TYPE MAB
RADIO TELEPHONE TRANSMITTING & RECEIVING EQUIPMENT



HALF SCALE
 WEIGHT $1 \frac{1}{4}$ POUNDS

Type CCI-43045 Transmitter-Receiver Unit
 Dimensional Drawing
 Model MAB Equipment

NAVY TYPE MAB
RADIO TELEPHONE TRANSMITTING & RECEIVING EQUIPMENT



Type CCI-43045 Transmitter-Receiver Unit
 Placement Diagram—Bottom View
 Model MAB Equipment